

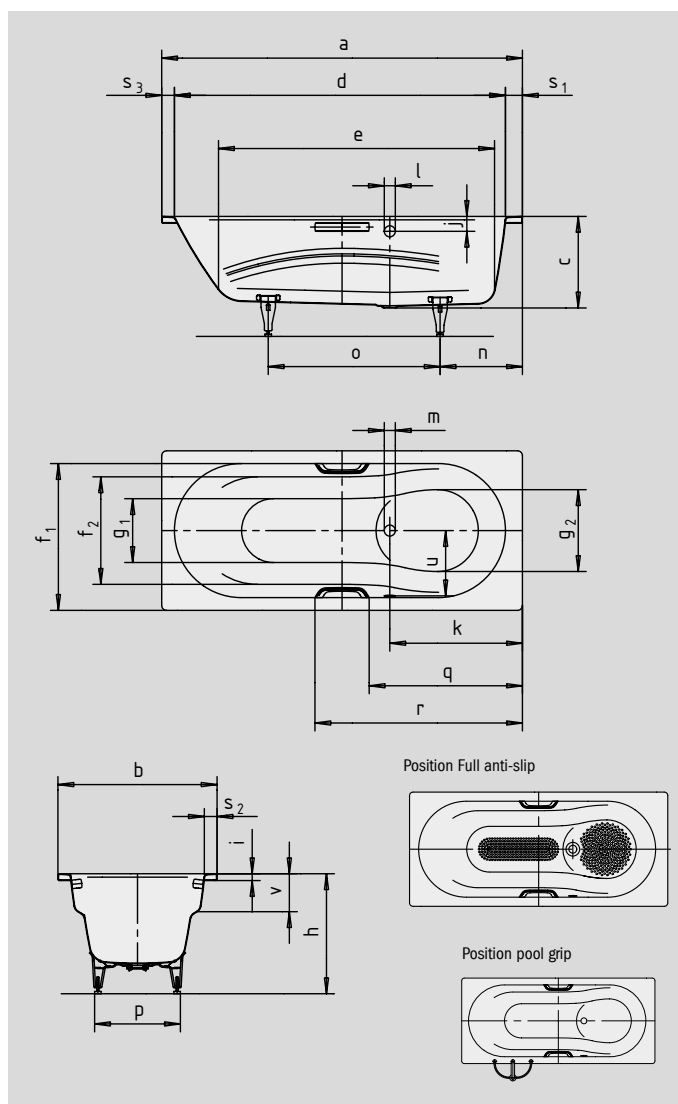
# VAIO SET VAIO SET STAR

- one-seater bath with side overflow and integrated arm rests
- combi-bath suitable for bathing and showering
- made of KALDEWEI steel enamel 3,5 mm
- also available with grips



Similar illustration

To order the bath with opposite overflow, please order model xxxx2300xxxx.



DISCREET OPULENCE AMBIENTE COLLECTION

COMFORT SELECT



Model No.		956/957	944/945	954/955	946/947
External length	a	1600	1700	1700	1800 mm
External width	b	700	700	750	800 mm
Depth	c	430	430	430	430 mm
Internal length (top)	d	1460	1460	1560	1560 mm
<b>Internal length (bottom)</b>	<b>e</b>	<b>1200</b>	<b>1200</b>	<b>1300</b>	<b>1300 mm</b>
Internal width (top)	f <sub>1</sub> ; f <sub>2</sub>	580; 470	580; 470	630; 505	630; 505 mm
Internal width (bottom)	g <sub>1</sub> ; g <sub>2</sub>	420; 475	420; 475	450; 525	450; 525 mm
Height with feet	h	560-580	567-590	560-580	560-580 mm
Height of rim	i	32	32	32	32 mm
Distance top edge to centre of overflow hole	j	70	70	70	70 mm
Distance bath edge to centre of drain hole	k	575	625	625	675 mm
Diameter of overflow hole	l	52	52	52	52 mm
Diameter of drain hole	m	52	52	52	52 mm
Distance foot end of bath edge to centre of foot	n	435	485	435	485 mm
Distance between the feet	o	625	625	725	725 mm
Max. width of feet	p	425	430	488	485 mm
Distance bath edge (foot end) to where grip/handle starts (Mod. 945/947/955/957)	q	672	722	722	772 mm
Distance bath edge (foot end) to where grip/handle ends (Mod. 945/947/955/957)	r	928	978	978	1028 mm
Width of rim (foot end; lengthwise)	s <sub>1</sub> ; s <sub>2</sub> ; s <sub>3</sub>	80; 60; 60	130; 60; 110	80; 60; 60	130; 85; 110 mm
Distance between centre holes	u	280	280	310	310 mm
Armrest depth	v	175	175	175	175 mm
Water volume** in litres		100	100	135	135
Weight of the enamelled bath in kg		46	47	50	55
Anti-slip		Ø 288	Ø 288	Ø 288	Ø 288 mm
Full anti-slip		Sondermaß siehe Zeichnung	Sondermaß siehe Zeichnung	Sondermaß siehe Zeichnung	Sondermaß siehe Zeichnung

Note: The operational system may protrude on some whirl systems.  
Please refer to the Technical Information for Whirl Systems for further information.  
Subject to technical alterations, tolerances and errors. Similar illustration.  
\*\* 70 litres displacement on average.

**KALDEWEI**